

# ABS submersible sludge pump JS 44

## Specification

Electric submersible pump.  
 Maximum submergence: 20 m. • Protection class IP 68.  
 Max temperature of pumped medium at max power input and continuous duty 40°C.  
 Max medium density 1100 kg/m<sup>3</sup>. • pH of the pumped medium 5-8.  
 Strainer with free passage 55x40 mm. • Max no. of starts 30/hour.  
 Max impeller diameter requires half motor or more submersed for continuous duty. (Pump can operate lying down.)

**JS 44 D/DKS\* -140\*\* 3-phase.**

**JS 44 D/DKS\* -160 3-phase.**

\*option: built in float switch, excl. 500V

\*\*Impeller diameter for duty with low water level or intermittent dry running.

## Electric Motor

3-phase squirrel-cage induction motor, 50 Hz.  
 Service factor 1.1. Class F insulation.  
 Motor rating P<sub>2</sub>: 3.3 kW. Speed: 2870 rpm  
 D.O.L. start with built-in contactor.

Voltage, V	230	400	500
Nominal current, A	12	6.9	5.5

## Power Cable

20 m type S1BN8-F (standard cable):  
 4 x 2.5 sq.mm.

20m NSSHÖU.../3E (heavy duty cable):  
 3x1.5+3x1.5/3E (230-500V)

## Motor Protection

Built-in thermal switches in the stator windings (140°C, ±5),  
 connected to built-in contactor.

## Shaft Seal

Double mechanical seal in oil bath.  
 Primary seal: Silicon carbide on silicon carbide.  
 Secondary seal: Stainless steel on antimony treated carbon.

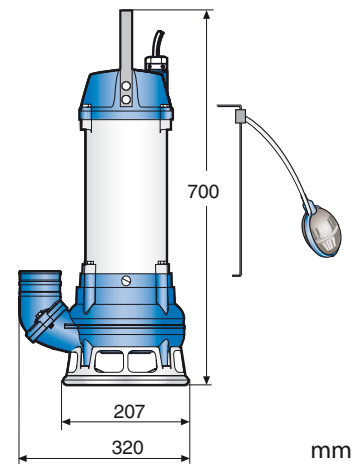
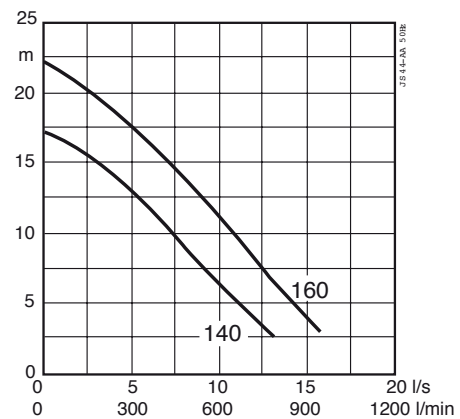
## Bearings

Upper bearing: Single-row deep groove ball bearing.  
 Lower bearing: Double angular contact ball bearing.

## Discharge Connections

2 1/2", 3" (standard), 4" hose connections.  
 2 1/2", 3", 4" B.S.P. threaded connections.

GB 50 Hz



## Weight (without cable)

31 kg

## Options and Accessories

Zinc anodes • Surface protection coating  
 Electronic motor supervision • Starter and control units  
 Automatic level control unit • Floatation ring • Repair kit  
 Discharge connection accessories and hose

Materials		EN	ASTM
Motor housing	Aluminium	EN 1706: AC-43100	ASTM AlSi10mg
Handle and fasteners	Stainless steel	10088:X5CrNi18-10 (1.4301)	AISI 304
Rotor shaft	Stainless steel	10088:X20Cr13 (1.4021)	AISI 420
Volute and impeller	Nodular cast iron	1563:ENGJS-HB150	ASTM A 536-80:60-40-18
O-rings	Nitrile rubber		